

RAKE Z CLOSURE
ATTACHED W/
FASTENERS, 12" O.C.

APPROVED
UNDERLAYMENT,
TURN DOWN
VERTICALLY 3"
MIN.

WOOD BLOCKING,
BY OTHERS

1/2" DENSDECK

1-1/2" INSULATION

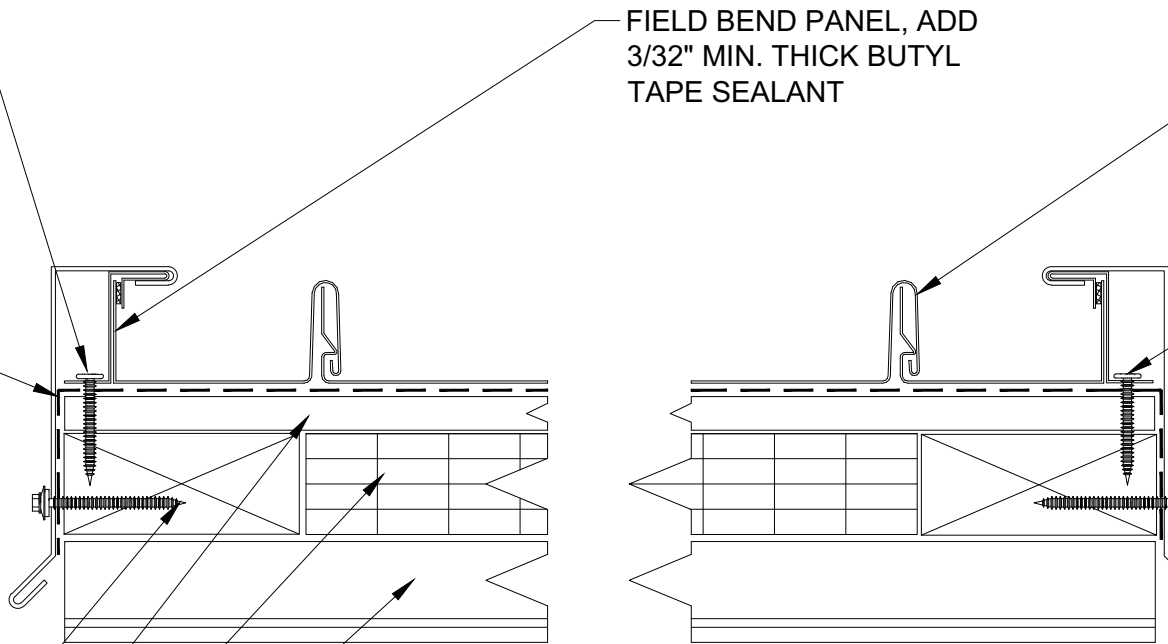
METAL DECK,
BY OTHERS

FIELD BEND PANEL, ADD
3/32" MIN. THICK BUTYL
TAPE SEALANT

SENTRIGARD™
SL 175 PANEL

FASTENERS,
12" O.C.

RAKE FLASHING



Rev. 3, July 2012



Project:		
Contractor:		
Designer:	Date:	Scale:

Copyright © 2007-2012 by N.B. Handy
All rights reserved. No part of this document may be reproduced, distributed, or transmitted in any form or by any means, including photocopying, recording, or other electronic or mechanical methods, without the prior written permission of the N.B. Handy Company.

N.B. HANDY CO., INC.
4625 Alexander Drive, Suite 135
Alpharetta, GA 30022-3737
Ph: (770) 667-0463

SENTRIGARD SL 175 RK-2