

FASTENER, 12" O.C.

RAKE FLASHING

SENTRIGARD™ SL 175
PANEL, BOX PANEL END

APPROVED SEALANT

FASTENERS, 12" O.C.

BOX END OF PANEL

Z CLOSURE SET IN $\frac{3}{32}$ " MIN. THICK
BUTYL TAPE SEALANT ATTACHED W/
(5) FASTENERS PER PANEL

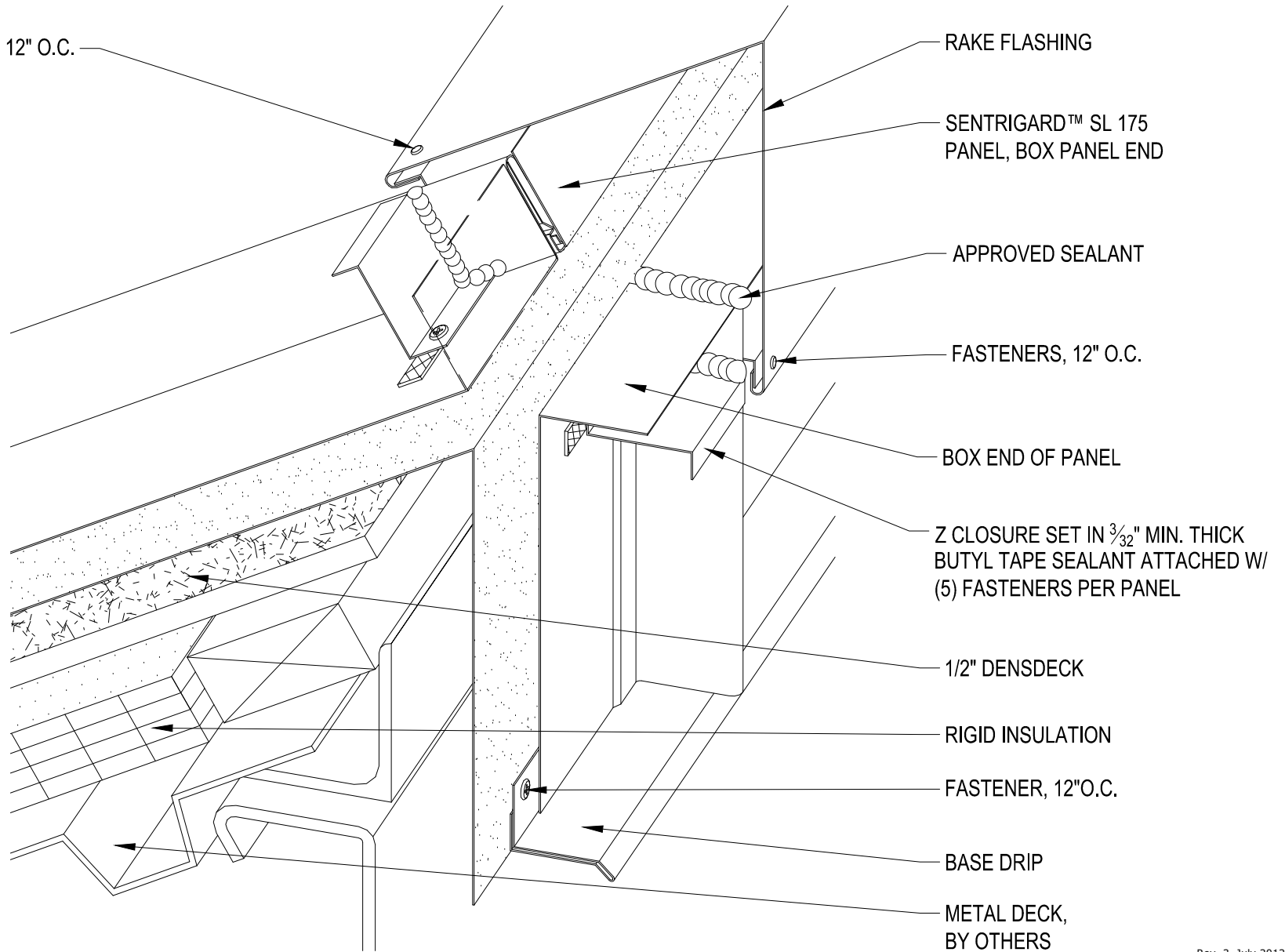
1/2" DENSDECK

RIGID INSULATION

FASTENER, 12" O.C.

BASE DRIP

METAL DECK,
BY OTHERS



Rev. 3, July 2012



Project:

Contractor:

Designer:

Date:

Scale:

Copyright © 2007-2012 by N.B. Handy
 All rights reserved. No part of this document may be reproduced, distributed, or transmitted in any form or by any means, including photocopying, recording, or other electronic or mechanical methods, without the prior written permission of the N.B. Handy Company.

N.B. HANDY CO., INC.
 4625 Alexander Drive, Suite 135
 Alpharetta, GA 30022-3737
 Ph: (770) 667-0463

SENTRIGARD SL 175 PK-1